

XOM SERIES OUTDOOR LED DISPLAY

XOM series outdoor LED solutions are perfect for any billboard or large scale LED wall project. These ultra reliable, high brightness, low power consumption modules also feature an IP65 rating and auto brightness adjustment for the ultimate impact in any climate or weather conditions. Hisense LED modules include cable-less internal construction and rear access for ease of maintenance.



Highlights



Bright & Vivid Images

High brightness, bright and vivid display, can be seen from a distance



Neat and Clean Screen

Clean cable solution, make the screen clear and beautiful.



45° Beveled Edge Design

45° beveled edge design, easy to complete multiple curved surface splicing, up to -90°~90° curved surface installation.



EMC Anti-Interference

Complies with international electronic EMC standards. Anti-electromagnetic interference, more stable operation



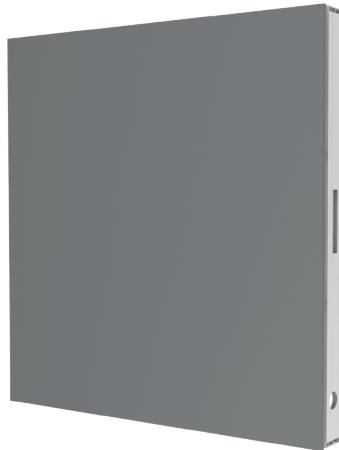
Lightweight Design

It takes only 2 minutes to splice two cabinets together, saving labor costs dramatically.



Front & Rear Access

Supports front maintenance. No need to reserve space for maintenance.



Specifications

XOM106A

Physical

Pixel Pitch	10.66 mm
Pixel Configuration	DIP gold wire / DIP346
Module Resolution (W x H)	45 x 30
Module Dimension (W x H)	480 x 320 mm / 18.9 x 12.6 inch
Cabinet Resolution (W x H)	90 x 90
Cabinet Dimension (W x H x D)	960 x 960 x 106 mm 37.8 x 37.8 x 4.17inch
No. of Modules per Cabinet (W x H)	2 x 3
Cabinet Weight	29 kg / 63.93 lbs
Cabinet Materials	Profile Aluminum

Optical

Brightness (Typ.)	10,000 nits (8,000~10,000 nits Adjustable)
Contrast Ratio	3,000 : 1 (According to the current Hisense test environment)
Visual Viewing Angle (H x V)	120° x 60°
Bit Depth	13 bit (13~16 bit Customisable)
Color Temperature	6500K ± 500K

Electrical

Max Power Consumption per Cabinet	325 W
Avg Power Consumption per Cabinet	97 W
Max Power Consumption per Unit Area	350 W/m ²
Avg Power Consumption per Unit Area	105 W/m ²
Power Supply	100~240 V AC
Refresh Rate	3,840 Hz

Operational

Operating Temp / Humidity	-20~50°C / 10~90% RH
Storage Temp / Humidity	-30~60°C / 10~90% RH
IP Rating	Front IP65 & Rear IP54
Lifetime	100,000 Hrs

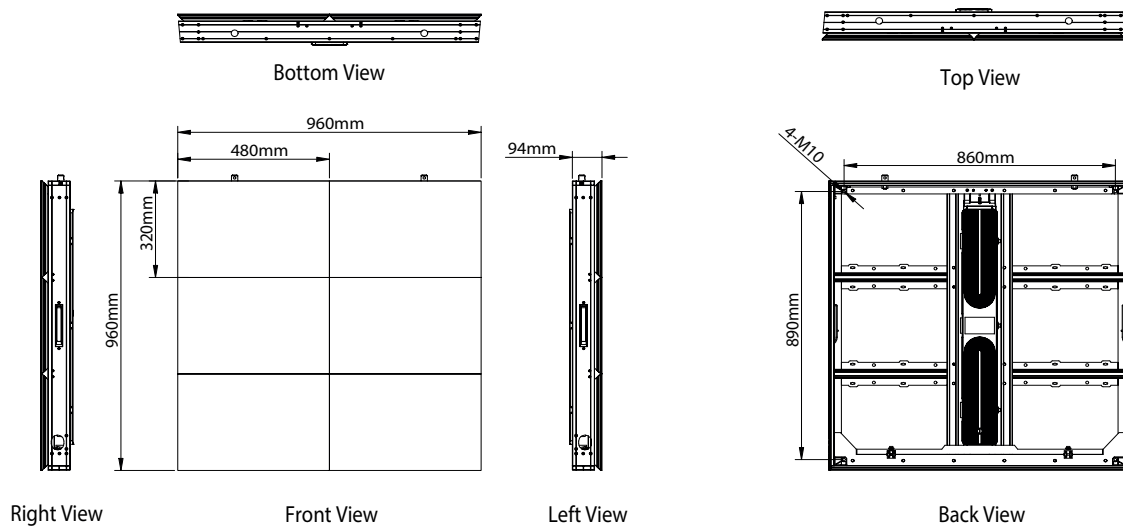
Service

Maintenance	Front & Rear Access
-------------	---------------------

Certification

Standard Certification	CE / CB
------------------------	---------

Display Dimensions



* Product specifications may vary per region, and specifications are subject to change. This material may include corporate names and trademarks of third parties which are the properties of the third parties respectively.