

QUICK SETUP GUIDE

Before using the display, please read this guide thoroughly and retain it for future reference.



20256789 B

English

Disposal of Used Electrical & Electronic Equipment



Packaging and electrical goods should be recycled appropriately, and not treated as household waste. Please dispose of this equipment at your applicable collection point for the recycling of electrical & electronic equipment waste. By ensuring the correct disposal of this product, you will help prevent potentially hazardous to the environment and to human health, which could otherwise be caused by unsuitable waste handling of this product. The recycling of materials will help conserve natural resources. Please do not therefore dispose of your old electrical and electronic equipment with your household waste. For more detailed information about recycling of this product, please contact your local city office, your household waste disposal service or the shop where you purchased the product.

Environmental conditions

Operating temperature: -30°C~50°C

Operating humidity: 10%~80%RH

Storage temperature: -20°C~60°C

Storage humidity: 5%~95%

Atmospheric pressure: 86kPa~106kPa

For more detailed information, please contact the supplier who sold this product to you. The text of the EU/UK declaration of conformity is available at the following internet address: <https://www.hisense-b2b.com/>

Installation

Warning

- For safety, wall-mount installation must be performed by a qualified technician. Installation by unqualified personnel poses a risk of injury. Only approved cabinets should be used.
 - Do not block the vent on the display, and may not function properly due to potential overheating.
 - Do not insert fingers or any objects into the vents. Doing so could cause equipment failure or personal injury.
 - Do not install the display on an unstable or vibrating surface (insecure shelf, sloped surface, etc.), The product may fall and get damaged or cause personal injury. Using the display in an area with excess vibration may damage or cause a fire.
 - When installing the display, keep it at a distance from the wall so that it is well ventilated. An increased internal temperature may cause a fire.
 - Do not install the display in poorly ventilated spaces such as a bookcase or closet. A poorly ventilation will overheat the display, and may cause damage to the display and even fire.
 - Do not install the power cord and the display near heat sources, such as radiators, heat registers, stoves, places exposed to direct sunlight or other products (including amplifiers) that produce heat.
 - Do not place candles, insect repellants or cigarettes on top of the display.
 - Do not install the display in a kitchen or near a kitchen counter. Edible oil can damage or deform the display.
 - Discard the plastic packaging that the product is packaged in, immediately after unpacking, and can cause suffocation if it is handled improperly.
 - Incorrect replacement of the battery may lead to the risk, including the replacement of another similar or the same type.
 - Do not expose batteries to heat such as sun or fire or something like that.
 - Main plug on the power cord is used as the disconnect device, the disconnect device and socket-outlet shall be easily accessible.
- Precautions during installation and storage
- After opening the cover, install the product within 1 hour under humidity of 60% or below.
 - Keep the predefined humidity while opening the cover or assembling the housing
 - (e.g. connection of external device).
 - During operation and storage of the product, be sure to attach the cover.

Accessories List

Quick Setup Guide × 1

Remote Control × 1

Battery(AAA) × 2

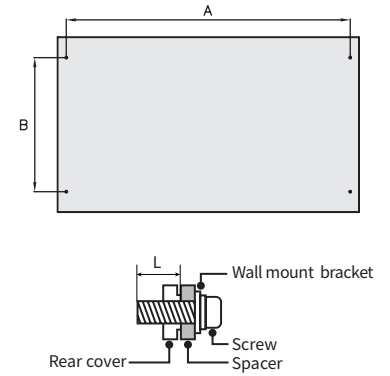
Power Cord (It depends on the models, regions, or countries.)

RS232 converter cable × 1 (Optional)

External Remote Control & Ambient Light Sensor Cable × 1 (Optional)

Wall Mount (Optional)

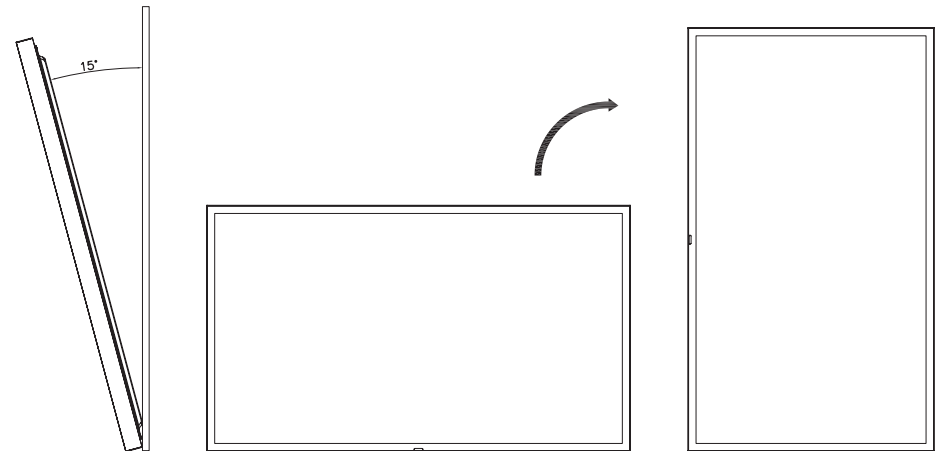
Wall mount hole pattern(mm) A × B	1186 × 560
Wall mount screw size	M8
Number of wall-mount screw	4
L(mm)	12.0 - 13.0



NOTE

The product can be tilted at a maximum angle of 15° from a perpendicular wall surface.

To use the product vertically (portrait), turn it clockwise.



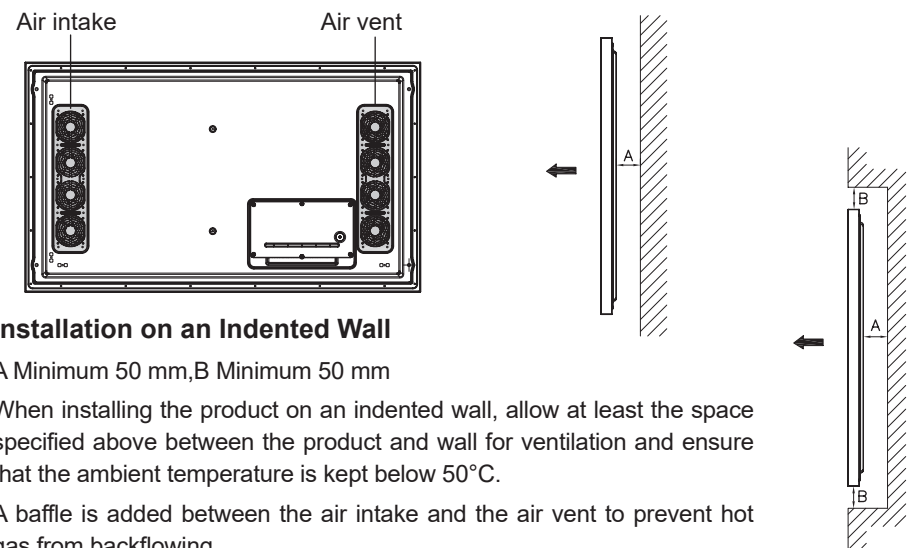
Ventilation

Installation on a Perpendicular Wall

A Minimum 50 mm

Do not block the vent on the product.

A baffle is added between the air intake and the air vent to prevent hot gas from backflowing.



Installation on an Indented Wall

A Minimum 50 mm, B Minimum 50 mm

When installing the product on an indented wall, allow at least the space specified above between the product and wall for ventilation and ensure that the ambient temperature is kept below 50°C.

A baffle is added between the air intake and the air vent to prevent hot gas from backflowing.

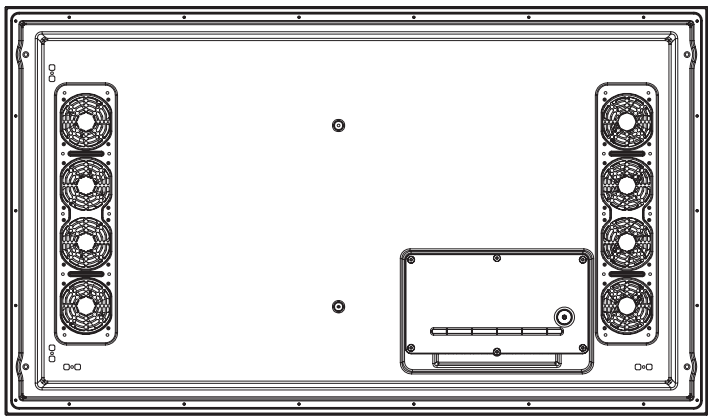
Terminal Introduction



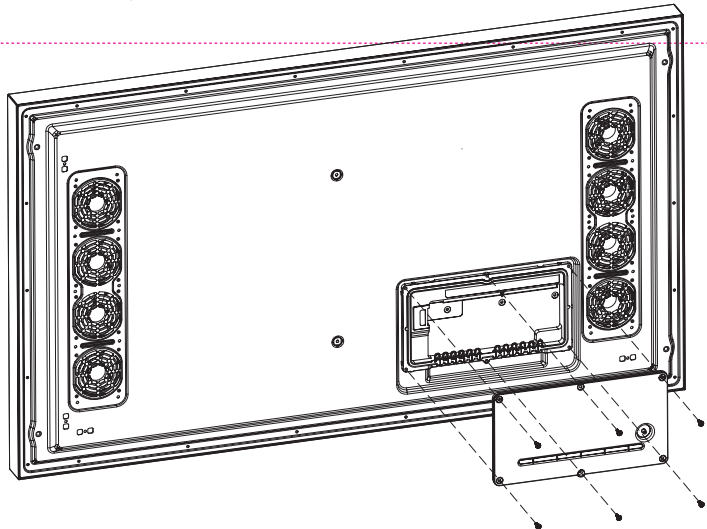
Port Name	Function description
USB 2.0/3.0	It can be used to connect a standard USB device.
HDMI 1/2	It can be used to connect an external device with HDMI port.
LAN IN/OUT	It can be used to connect a network cables so as to access the Internet.
RS232 IN/OUT	It is the input/output port of the serial communication command.
AUDIO OUT	It can be used to connect the AV device.
HDBT IN	It can be used to connect a HDBT transmitting device.
IR IN	It can be used to connect an external remote control.
ALS	It can be used to connect an ambient light sensor.

Before connecting cables

The colour and shape of parts may differ from what is shown. Specifications are subject to change without notice to improve quality.



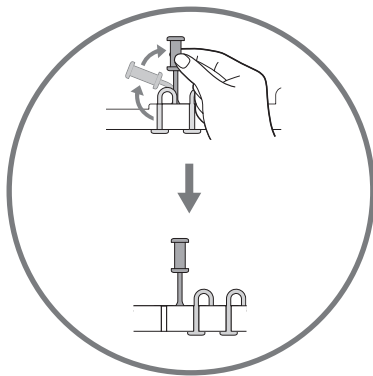
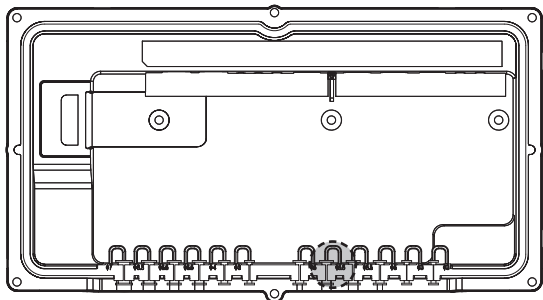
1. Unfasten the screws, then remove the cover.



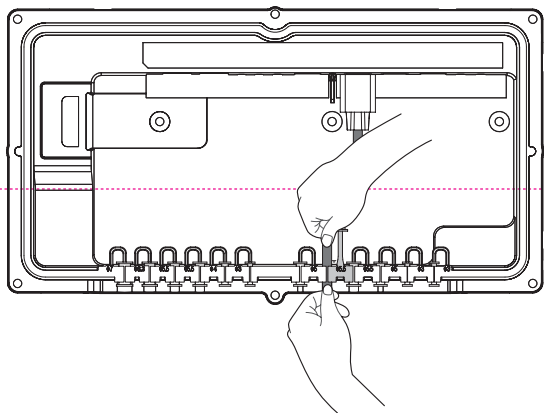
2. Remove the appropriate silicone bar for the thickness of the cable to connect.

Different hole sizes and corresponding cable thickness for each:

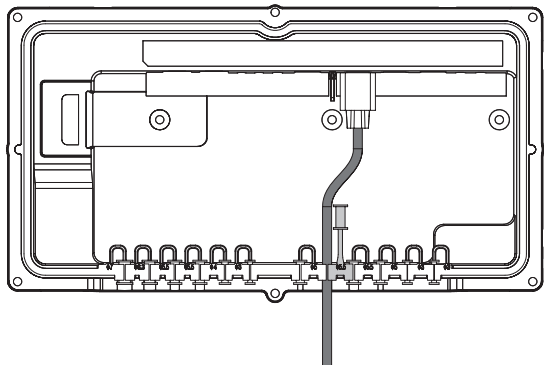
- 7 Ø hole x 1 : Insert the 7 Ø cable
- 6.3 Ø hole x 1 : Insert the 6.3 Ø cable
- 5.5 Ø hole x 4 : Insert the 5.5 Ø cable
- 5 Ø hole x 2 : Insert the 5 Ø cable
- 4 Ø hole x 1 : Insert the 4 Ø cable
- 3 Ø hole x 3 : Insert the 3 Ø cable



3. Insert the appropriate cable into the hole from which the silicone bar was removed.



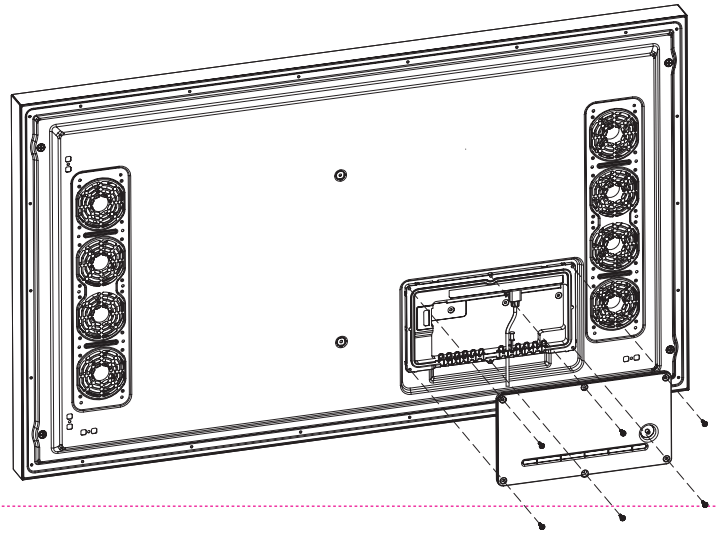
4. The cable should be connected as shown.



5. Close the cover, then fasten the screws.

After all the cables are connected, make sure to close the cover and fasten the screws to ensure it is water tight.

Recommended torque : 10 - 12 kgf.cm



Safety Precautions



This symbol indicates that a safety connection to electrical earth (ground) is not required. If the nameplate does not have this symbol, make sure that the product is connected to a grid power outlet with a protective earth connection.

Other information

THIS PRODUCT IS LICENSED UNDER THE AVC PATENT PORTFOLIO LICENSE FOR THE PERSONAL USE OF A CONSUMER OR OTHER USES IN WHICH IT DOES NOT RECEIVE REMUNERATION TO (i) ENCODE VIDEO IN COMPLIANCE WITH THE AVC STANDARD ("AVC VIDEO") AND/OR (ii) DECODE AVC VIDEO THAT WAS ENCODED BY A CONSUMER ENGAGED IN A PERSONAL ACTIVITY AND/OR WAS OBTAINED FROM A VIDEO PROVIDER LICENSED TO PROVIDE AVC VIDEO. NO LICENSE IS GRANTED OR SHALL BE IMPLIED FOR ANY OTHER USE. ADDITIONAL INFORMATION MAY BE OBTAINED FROM MPEG LA, L.L.C. SEE [HTTP://WWW.MPEGLA.COM](http://www.mpegla.com)

WARNING: This set must not be opened unless by a qualified technician.

WARNUNG: Dieses Set darf nur von einem qualifizierten Techniker geöffnet werden.

VAROVÁNÍ: Toto zařízení nesmí být otevřeno, pokud není otevřeno kvalifikovanými technikami.

VAROVANIE: Toto zariadenie neotvárajte, pokiaľ nemáte kvalifikovaného technika.

AVERTIZARE: Nu deschideți acest echipament decât dacă aveți un tehnician calificat.

OPOZORILO: Tega kompleta ne smete odpirati, odpreti ga sme samo usposobljen tehnik.

UPOZORENJE: Ovaj se uređaj ne smije otvoriti ako ga nije otvorio kvalificirani tehničar.

ΠΡΟΕΙΔΟΠΟΙΗΣΗ: Μην ανοίγετε τη συσκευή εκτός αν το ανοίξετε από ειδικευμένο τεχνικό.

OSTRZEŻENIE: Nie otwieraj tego urządzenia bez wykwalifikowanego technika.

AVERTISSEMENT : Cet ensemble ne doit être démarré que par un technicien qualifié.

ATTENZIONE : Non aprire la unità a meno che non sia stato eseguito da un tecnico qualificato.

ADVERTENCIA: Este conjunto no debe abrirse a menos que lo haga un técnico calificado.

AVISO: Este conjunto não pode ser aberto a menos que por um técnico qualificado.

ПРЕДУПРЕЖДЕНИЕ: Това устройство не трябва да се отваря, освен ако не е отворено от квалифицирани техници.

FIGYELEM: Csak akkor nyissa ki ezt az eszközt, ha képzett szakemberrel rendelkezik.

WAARSCHUWING: Deze set mag niet worden geopend, alleen door een gekwalificeerde technicus.

Miscellaneous



The terms HDMI and HDMI High-Definition Multimedia Interface, and the HDMI Logo are trademarks or registered trademarks of HDMI Licensing Administrator, Inc. in the United States and other countries.