

## XIM SERIES INDOOR LED DISPLAY

Unlock limitless creative potential with Hisense XIM Series LED solutions. Engineered for ultimate versatility, our modular cabinets offer an extremely wide range of pixel pitches and aspect ratios – empowering integrators to design spectacular displays for any internal space. Featuring cable-less internal construction and full front-access maintenance, XIM delivers stunning visuals with dramatically reduced installation time.

### Highlights



#### High Variety and Flexibility

The XIM series offers six pixel pitches and multiple cabinet configurations, delivering unparalleled versatility. These include three die-cast aluminum cabinets and customizable steel cabinets with optional flexible modules.



#### Lightweight and Creative Design

The 49 mm / 6.5 kg die-cast aluminum cabinet supports hardwired connections, enabling single-person setup and reduced logistics costs. It also supports customized steel cabinets and flexible modules—connected via ribbon cables—to unlock a wide range of creative display possibilities.



#### GOB (Optional) High Reliability

The display is moisture-proof, dust-proof and anti-static, offering strong assurance of stability and reliability for a bright and clear viewing experience.



#### Tool-less LED Cabinet Lock

Tool-less LED cabinet lock design enables quick assembly, significantly reducing setup time and labor costs. It reduces installation time and effort while ensuring reliable and consistent fixing for efficient on-site setup.



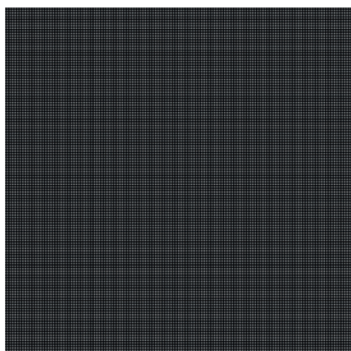
#### Full Front Maintenance

The module adopts a fully front-maintenance design, making maintenance fast and convenient, while enabling wall-mount installation to save space.

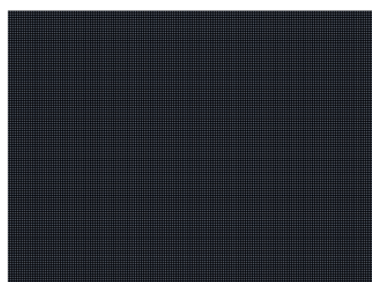


#### Wide Viewing Angle

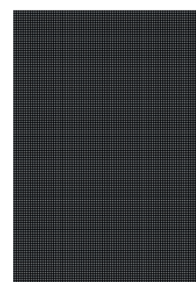
The XIM series delivers ultra-wide viewing angles and ensures identical color accuracy whether viewed horizontally or vertically, making it ideal for use in exhibition display, retail, lecture halls and public spaces.



640 x 640



640 x 480



320 x 480

## Specifications

### XIM Series

Model	XIM015	XIM018	XIM020	XIM025	XIM030	XIM040
Pixel Pitch	1.538 mm	1.86 mm	2 mm	2.5 mm	3.076 mm	4 mm
Pixel Configuration	SMD1212	SMD1515	SMD1515	SMD2020 <sup>1</sup>	SMD2020 <sup>1</sup>	SMD2020
Module Resolution (W x H)	208 x 104	172 x 86	160 x 80	128 x 64	104 x 52	80 x 40
Module Dimension ( W x H)	320 x 160 mm					
Cabinet Dimension (W x H x D) <sup>2</sup>	640 x 480 x 49 / 640 x 640 x 49 / 320 x 480 x 49 mm					
Cabinet Weight <sup>2</sup>	6.5 kg / 8.2 kg / 3.8 kg					
Cabinet materials	Die-cast Aluminum (typ.) / Steel (Customizable) <sup>3</sup>					
Brightness (typ.)	600 nits					
Contrast Ratio	4,000:1@10lux / 5,000:1@10lux, Flexible Module					
Visual Viewing Angle (H x V)	160° x 160°					
Bit Depth	14 bit (14~16 bit Customizable)					
Color Temperature	6,500K ± 500K					
Brightness Uniformity	95%					
Color Uniformity	±0.012 Cx, Cy					
Video Frame Rate	60 Hz					
Max Power Consumption	600 (W/m <sup>2</sup> )					
Avg Power Consumption	180 (W/m <sup>2</sup> )					
Max Heat Generation	2,047 (BTU/m <sup>2</sup> )					
Avg Heat Generation	614 (BTU/m <sup>2</sup> )					
Power Supply	100~240 V AC					
Refresh Rate	3,840 Hz					
Operating Temp / Humidity	-10~40°C / 10~80% RH					
Storage Temp / Humidity	-20~60°C / 10~90% RH					
IP Rating	Front IP30					
Lifetime	100,000 Hrs					
Certification	CE					
Maintenance	Front Access (Die-cast Aluminium) // Front / Rear Access (Steel)					

1. For flexible module assemblies, the pixel configuration used is SMD1515.

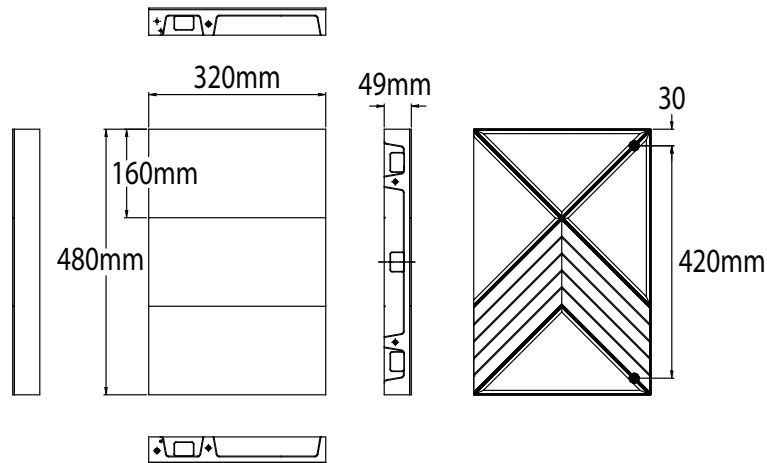
2. Applicable only to die-cast aluminum cabinets.

3. Minimum curve diameter 815 mm @Flexible Module

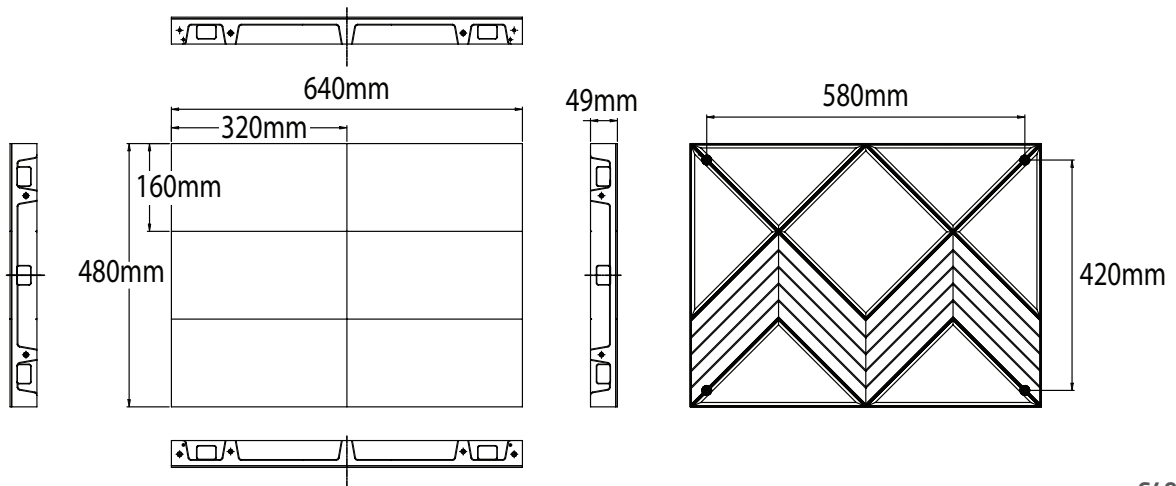
\* According to the current Hisense test environment

\*\* Product specifications may vary per region, and specifications are subject to change. This material may include corporate names and trademarks of third parties which are the properties of the third parties respectively.

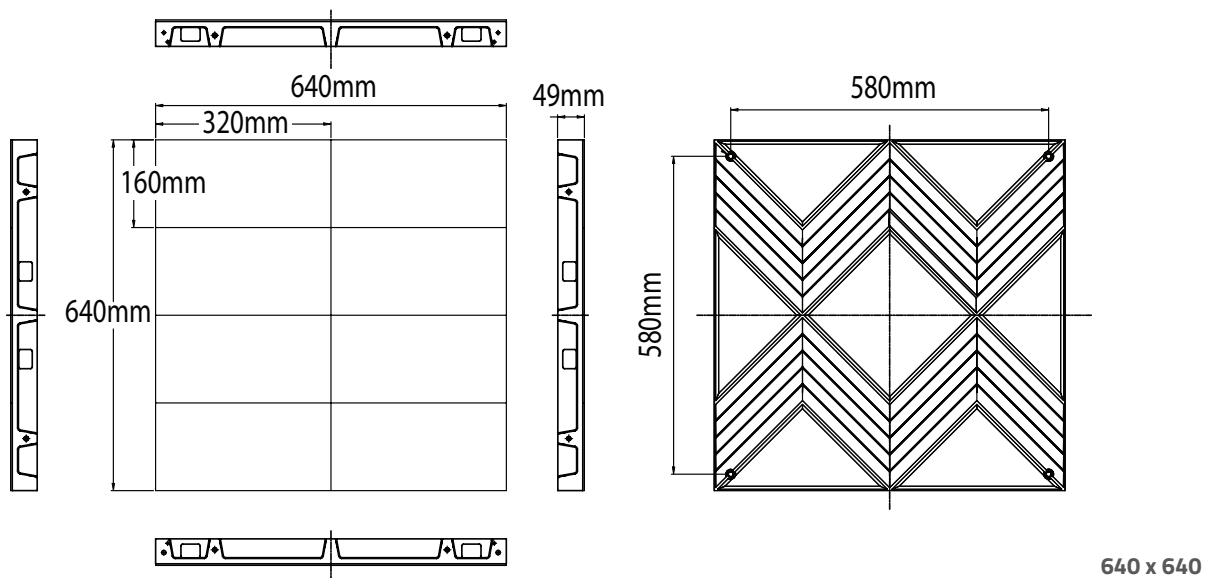
## Display Dimensions



320 x 480



640 x 480



640 x 640

\* According to the current Hisense test environment

\*\* Product specifications may vary per region, and specifications are subject to change. This material may include corporate names and trademarks of third parties which are the properties of the third parties respectively.