



24WP30FE

24" TOUCH SIGNAGE DISPLAY

Engineered for retail ordering and information enquiry, the Hisense 24WP30FE redefines commercial displays with its impressive 43.1 mm. ultra-slim profile and 4.5 kg lightweight design. Its outstanding visual performance and industrial-grade touch responsiveness make it ideal for dynamic signage intelligence.

Highlights



10-Point Multi-Touch

Advanced 10-point projected capacitive touch enables smooth, precise interaction using multiple fingers simultaneously for intuitive control.



Landscape and Portrait

Easily switch between landscape and portrait modes to optimize viewing for different applications and content, enhancing workflow versatility.



Android 14 OS

Powered by the latest Android 14 OS on a Quad-core processor with 4GB RAM/32GB storage, transforming it into a powerful and smart device.



Standard VESA Mounting

Supports 100 x 100mm VESA mounts, allowing flexible and secure installation on walls, arms, or stands to save space and improve adaptability.



Round-the-clock Operation

Designed for reliable 24/7 continuous operation, this product excels in demanding commercial environments.



Lightweight Design

With an ultra-slim 43.1 mm profile and remarkably light 4.5 kg weight, this display integrates seamlessly into any commercial environments with a sleek, professional design.



Specifications

Digital Display Panel

Backlight Type	E-LED
Type	ADS
Size	23.8" / 16:9
Resolution	1920 x 1080
Refresh rate	60 Hz
Color Depth	16.7M (6-bit+FRC)
Brightness(Typ.)	250 nits
Contrast Ratio(Typ.)	1000:1
Response Time(Typ.)	14 ms
Viewing Angle(Min.)	178°(H)/178°(V)
Color Gamut(Typ.)	72% NTSC
Orientation	Landscape & Portrait
Operation Hours	7Day x 24Hour

Touch

Touch Points (Max)	10 Points
Touch Type	P-Cap (G+G)
Click on the way	Fingers
Touch Interface	USB

System

CPU	Quad-core CortexA55
GPU	Mali G52
Memory	4G
Storage	32G
Operating System	Android 14

Input Interface

HDMI In	1
USB3.0	1
USB2.0 (For touch)	1
LAN	1
TF Card Slot	1

Output Interface

Audio Out	1
-----------	---

Audio

Built-in Speakers	3W x2
-------------------	-------

Network

LAN	100M
WiFi	2.4G
Bluetooth	BT 5.2

Environment

Operating Temperature	0~40 °C
Operating Humidity	10%~80% RH

Power

Power Supply	Adaptor DC 12V / 3A
Power Consumption (Max.)	36 W

Physical

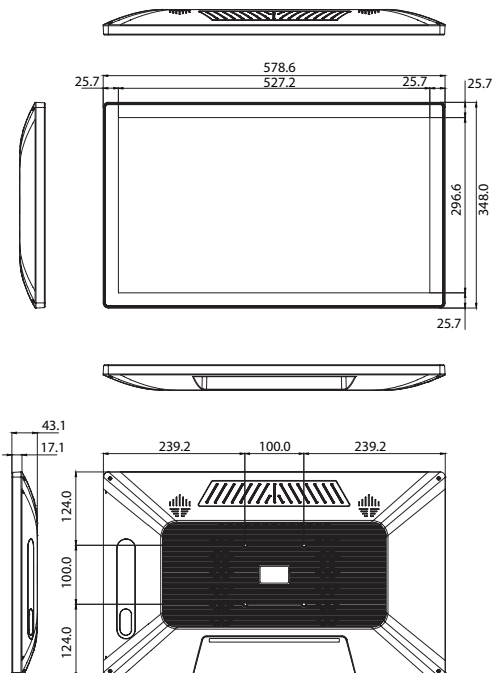
Color	Black
Set Dimension (W x H x D)	578.6 x 348 x 43.1 mm
Packed Weight	5.8 kg
Package Dimension	609 x 438 x 114 mm
Net Weight	4.5 kg
VESA Mount	100 x 100 mm
Bezel Width	25.7 mm (Even)

Accessories

Wall Hanging	1
User Manual	1
Power Adaptor	1
HDMI Cable	1
USB Touch Cable	1

Dimensions

24" | 578.6 x 348 x 43.1 mm
4.5 kg



Product specifications may vary per region, and specifications are subject to change. This material may include corporate names and trademarks of third parties which are the properties of the third parties respectively.